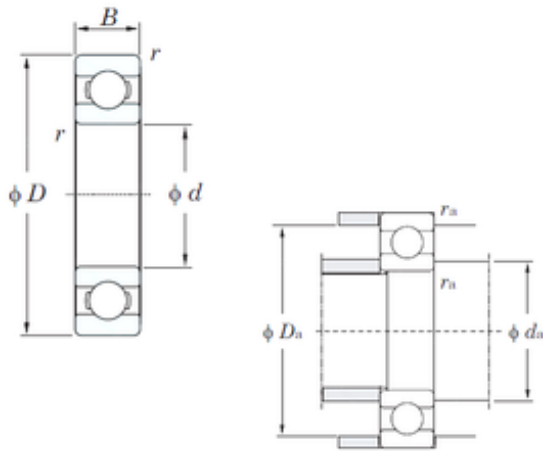




China abec 7 Bearing Supplier



6310 Bearing 2D drawings and 3D CAD models

NSK Hrb Koyo SKF NTN 6310 6908 6001 2RS
62004 62001 62005 6201RS 6205 6202 Ball Bearing
Turbo

Bearing No. 6310

Size	50x110x27 mm
Bore Diameter	50 mm
Outer Diameter	110 mm
Width	27 mm
d	50 mm
D	110 mm
B	27 mm
C	27 mm
r min.	2 mm
da min.	59 mm
Da max.	101 mm
ra max.	2 mm
Weight	1,07 Kg
Basic dynamic load rating (C)	62 kN
Basic static load rating (C0)	38,3 kN
(Grease) Lubrication Speed	6100 r/min
(Oil) Lubrication Speed	7300 r/min
Category	Single Row Ball Bearings
Inventory	0.0
Manufacturer Name	KOYO
Minimum Buy Quantity	N/A
Weight / Kilogram	1.16
EAN	0605790077142
Product Group	B00308



China abec 7 Bearing Supplier

Enclosure	Open
Precision Class	ABEC 1 ISO P0
Maximum Capacity / Filling Slot	No
Rolling Element	Ball Bearing
Snap Ring	No
Internal Special Features	No
Cage Material	Steel
Internal Clearance	C0-Medium
Inch - Metric	Metric
Long Description	50MM Bore; 110MM Outside Diameter; 27MM Outer Race Diameter; Open; Ball Bearing; ABEC 1 ISO P0; No Filling Slot; No Snap Ring; No Internal Special Features
Category	Single Row Ball Bearing
UNSPSC	31171504
Harmonized Tariff Code	8482.10.50.68
Noun	Bearing
Keyword String	Ball
Manufacturer URL	http://www.koyousa.com
Manufacturer Item Number	6310
Weight / LBS	2.556
Bore	1.969 Inch 50 Millimeter
Outside Diameter	4.331 Inch 110 Millimeter
Outer Race Width	1.063 Inch 27 Millimeter
Bearing No.	6310
r(min)	2
Cr	77.5
C0r	38.3
Cu	2.90
f0	13.2



China abec 7 Bearing Supplier

Grease lub.	6100
Oil lub.	7300
da(min)	59
Da(max)	101
ra(max)	2
(Refer.)Mass(kg)	1.07