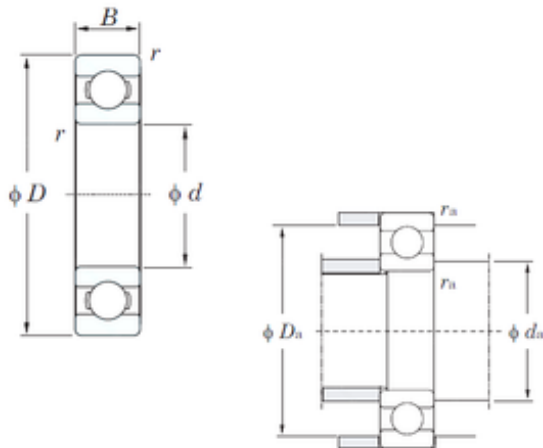




## China abec 7 Bearing Supplier



NSK/NTN/KOYO/FAG car parts 6309 DDU  
2RS ZZ Motor reducer deep groove ball bearing

Bearing No. 6309

6309 Bearing 2D drawings and 3D CAD models

Size	45x100x25 mm
Bore Diameter	45 mm
Outer Diameter	100 mm
Width	25 mm
d	45 mm
D	100 mm
B	25 mm
C	25 mm
r min.	1,5 mm
da min.	53 mm
Da max.	92 mm
ra max.	1,5 mm
Weight	0,833 Kg
Basic dynamic load rating (C)	48,9 kN
Basic static load rating (C0)	29,5 kN
(Grease) Lubrication Speed	6800 r/min
(Oil) Lubrication Speed	8100 r/min
Category	Single Row Ball Bearings
Inventory	0.0
Manufacturer Name	KOYO
Minimum Buy Quantity	N/A
Weight / Kilogram	0.912
EAN	0605790076534
Product Group	B00308
Enclosure	Open



## China abec 7 Bearing Supplier

Precision Class	ABEC 1   ISO P0
Maximum Capacity / Filling Slot	No
Rolling Element	Ball Bearing
Snap Ring	No
Internal Special Features	No
Cage Material	Steel
Internal Clearance	C0-Medium
Inch - Metric	Metric
Long Description	45MM Bore; 100MM Outside Diameter; 25MM Outer Race Diameter; Open; Ball Bearing; ABEC 1   ISO P0; No Filling Slot; No Snap Ring; No Internal Special Features
Category	Single Row Ball Bearing
UNSPSC	31171504
Harmonized Tariff Code	8482.10.50.68
Noun	Bearing
Keyword String	Ball
Manufacturer URL	<a href="http://www.koyousa.com">http://www.koyousa.com</a>
Manufacturer Item Number	6309
Weight / LBS	2.008
Bore	1.772 Inch   45 Millimeter
Outside Diameter	3.937 Inch   100 Millimeter
Outer Race Width	0.984 Inch   25 Millimeter
Bearing No.	6309
r(min)	1.5
Cr	61.1
C0r	29.5
Cu	2.25
f0	13.3
Grease lub.	6800



## China abec 7 Bearing Supplier

Oil lub.	8100
da(min)	53
Da(max)	92
ra(max)	1.5
(Refer.)Mass(kg)	0.833